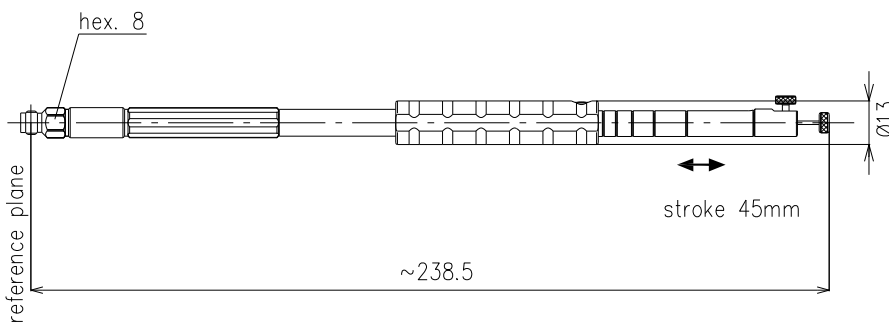


SLIDING LOAD



| | | |
|-------------------------------|---|---------------|
| Part number | BN 74 16 51 R00 | |
| Connectors | 2.4 mm socket | |
| Impedance | 50 Ω | |
| Frequency range | 4 - 50 GHz | |
| Electrical data | | |
| Line accuracy | ≥ 44 dB | |
| Return loss | ≥ 28 dB | |
| Directivity after calibration | ≥ 30 dB | |
| Material and surface | | |
| Inner conductor | CuBe age hardened | gold-plated |
| Outer conductor | copper alloy | gold-plated |
| Other metal parts | copper alloy | CuSnZn-plated |
| Standards | IEEE Std 287 | |
| Operative temperature | +18 °C - +28 °C | |
| Storage temperature | -40 °C - +70 °C | |
| Relative humidity | 0 - 95% at 40 °C, non-condensing | |
| Weight | approx. 0.1 kg | |
| Product manual | M36082 | |
| Included in delivery | certificate of calibration, protective cap, storage box | |